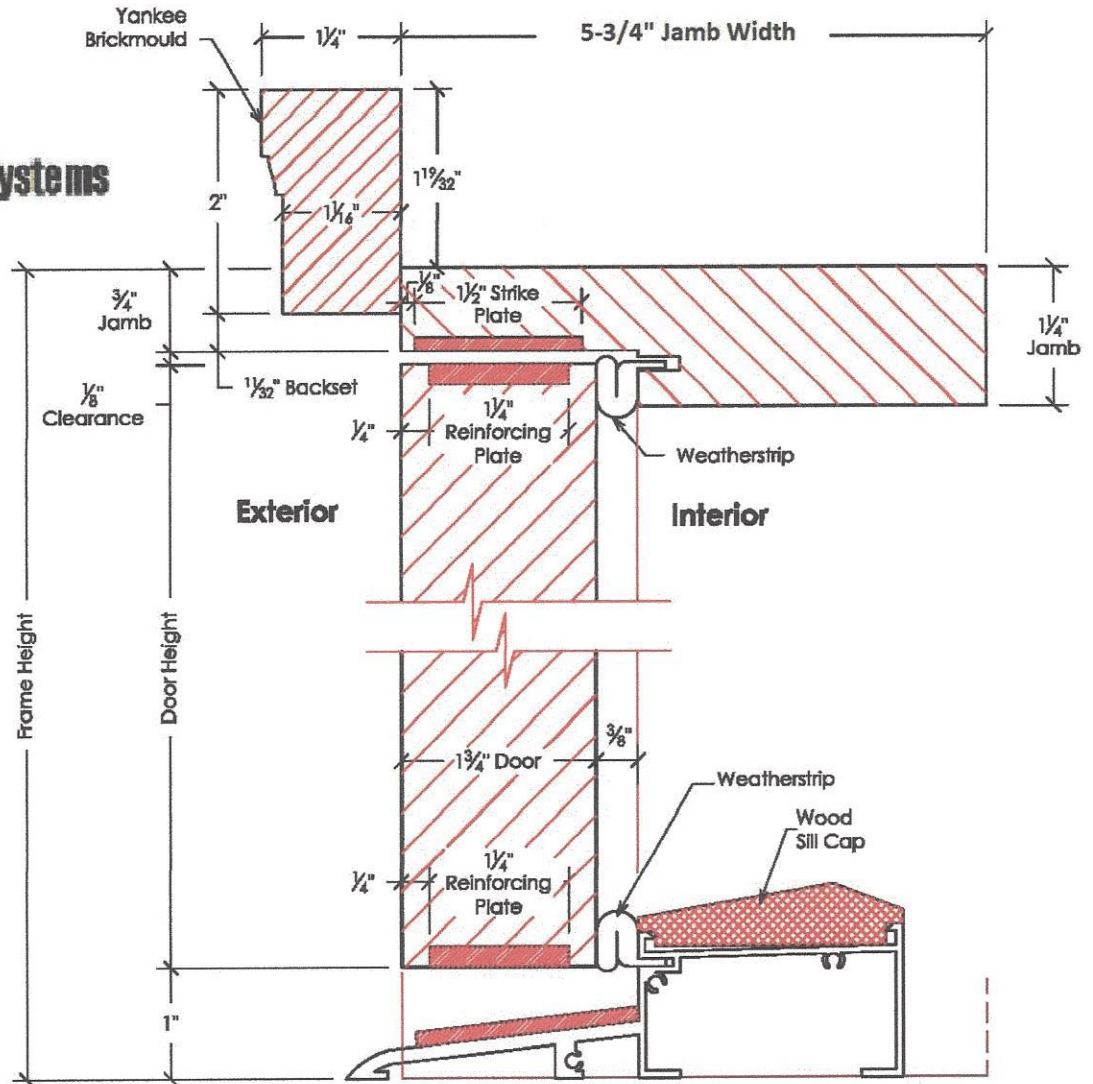


Hurricane Hi-Dam Outswing Sill  
 Vertical Section - 2-1/4" Door  
 Not To Scale

Signature For Approval: \_\_\_\_\_

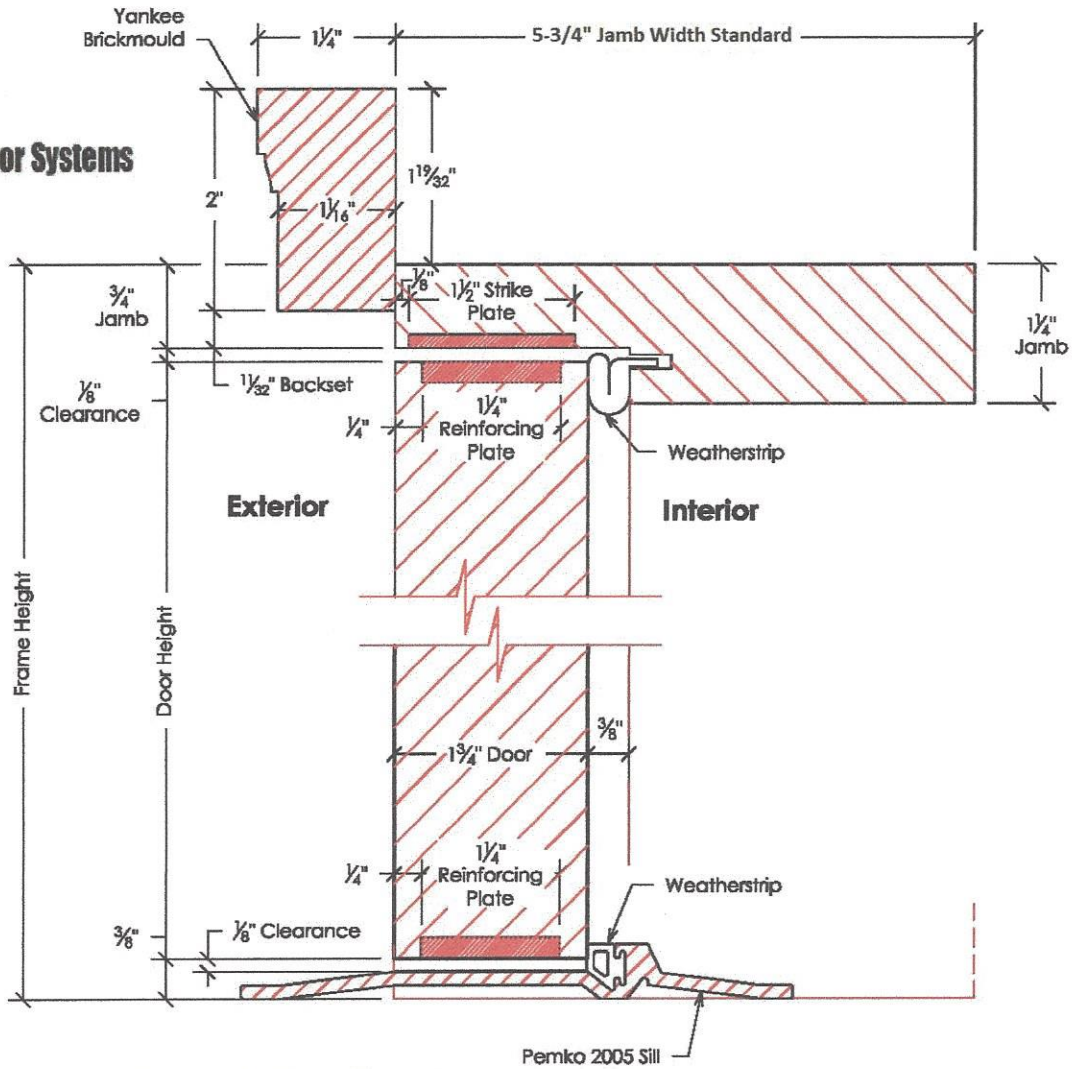
Date: \_\_\_\_\_



Hurricane Hi-Dam Outswing Sill  
 Vertical Section - 1-3/4" Door  
 Not To Scale

Signature For Approval: \_\_\_\_\_

Date: \_\_\_\_\_



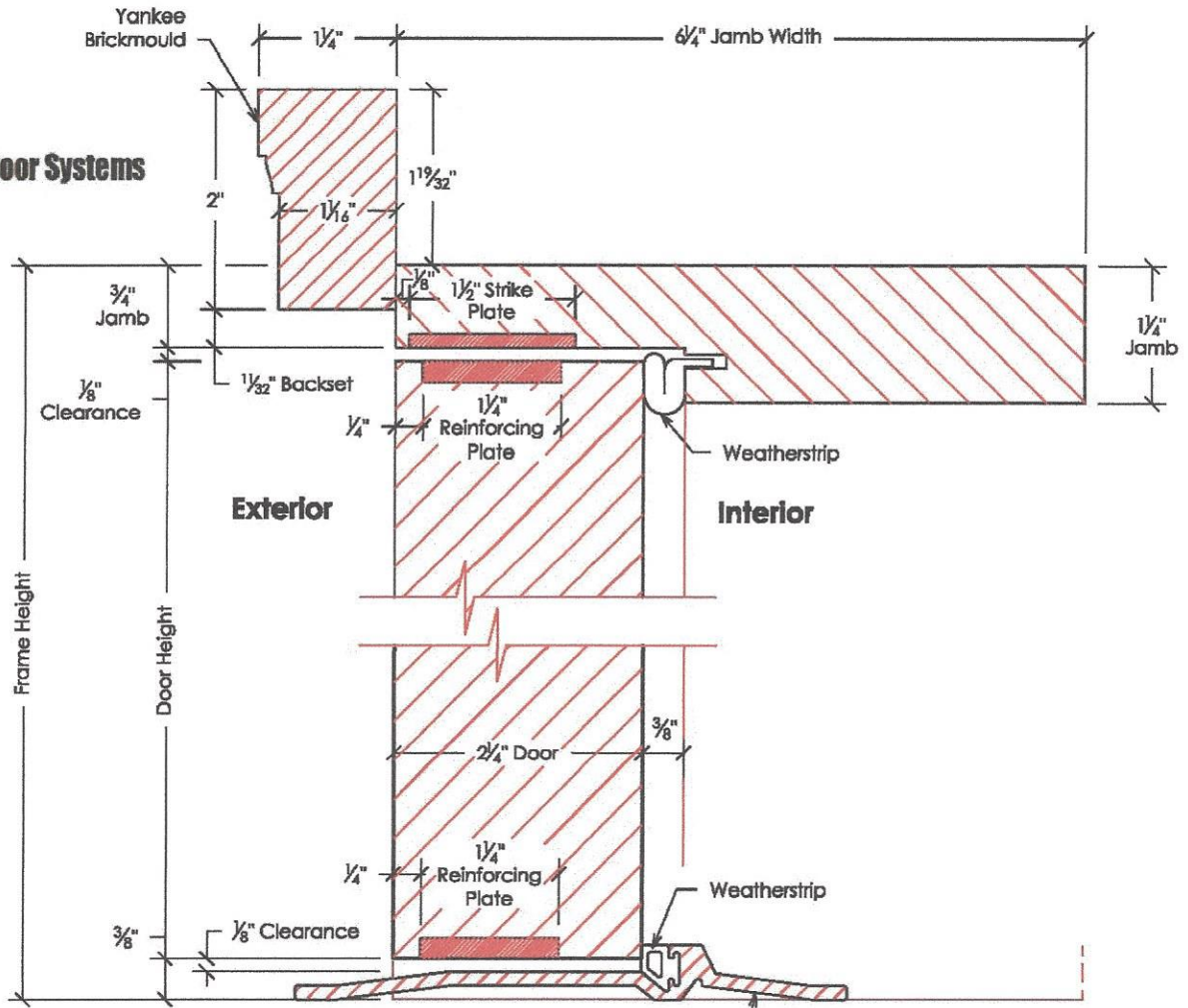
Hurricane ADA Threshold Assembly

Vertical Section 1-3/4" Door  
(Outswing)

Not To Scale

Signature For Approval : \_\_\_\_\_

Date: \_\_\_\_\_



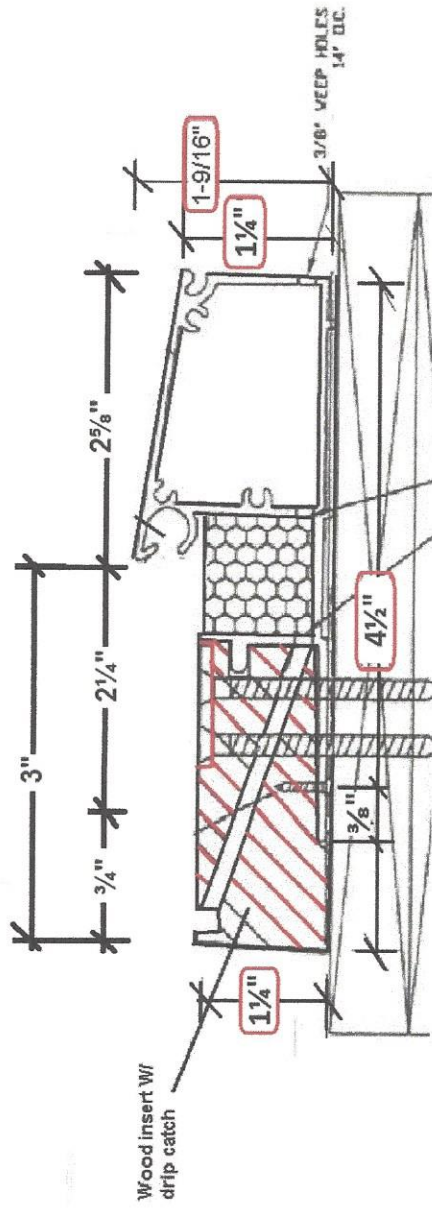
Hurricane ADA Threshold Assembly  
 Vertical Section - 2-1/4" Door  
 (Outswing)

Not To Scale

Signature For Approval: \_\_\_\_\_

Date: \_\_\_\_\_

Schlegel I/S Sill



Signature For Approval: \_\_\_\_\_

Date: \_\_\_\_\_