

Hurricane Horizontal Section

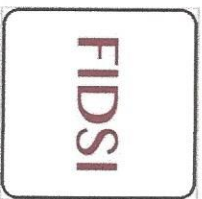
2-1/4" Single Door - 6-1/4" Jamb Width

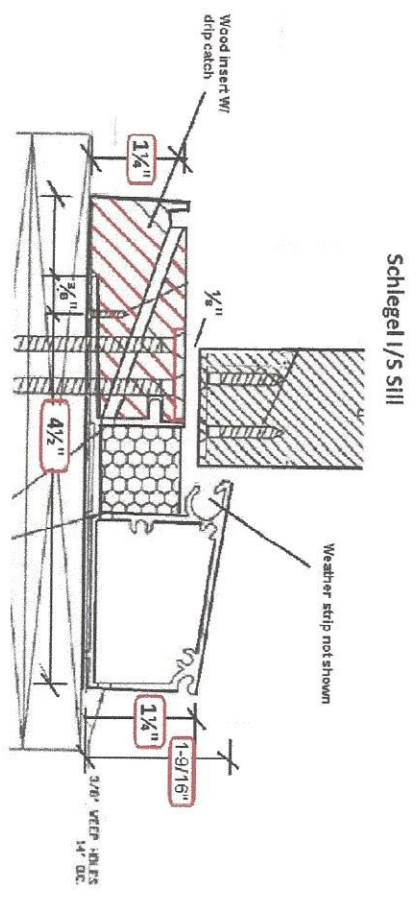
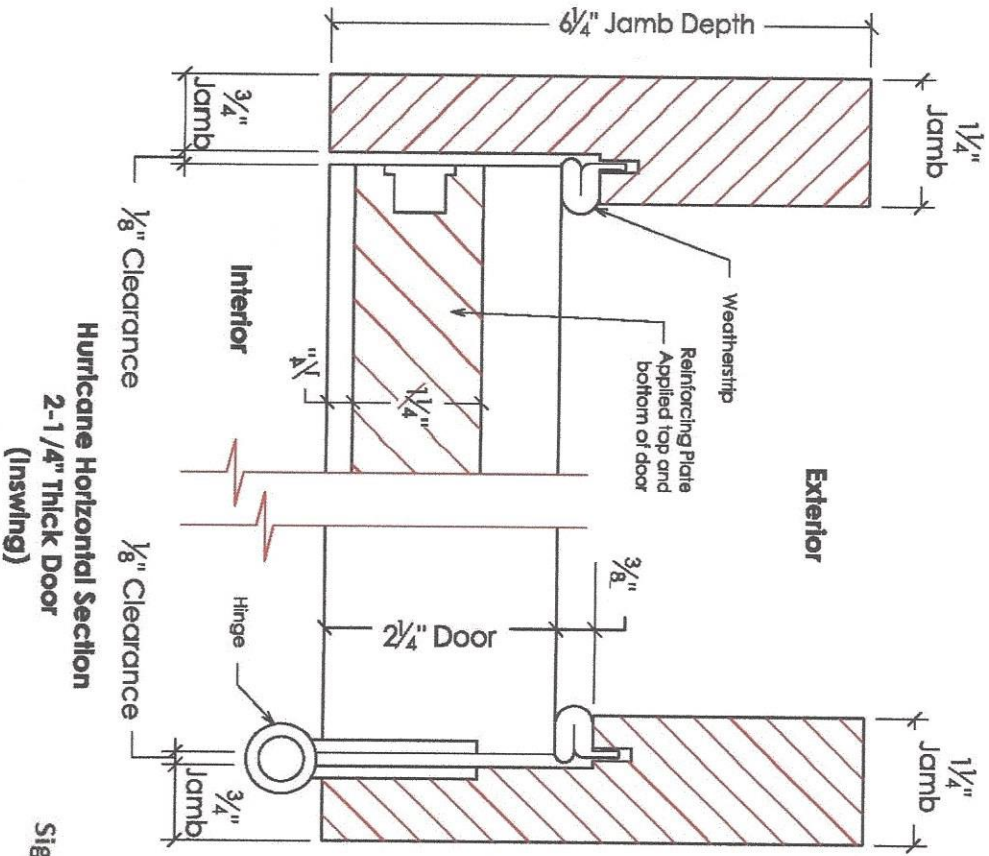
Left Hand (Outswing)

Not To Scale

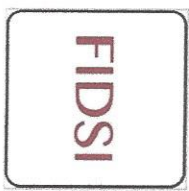
Signature For Approval: _____

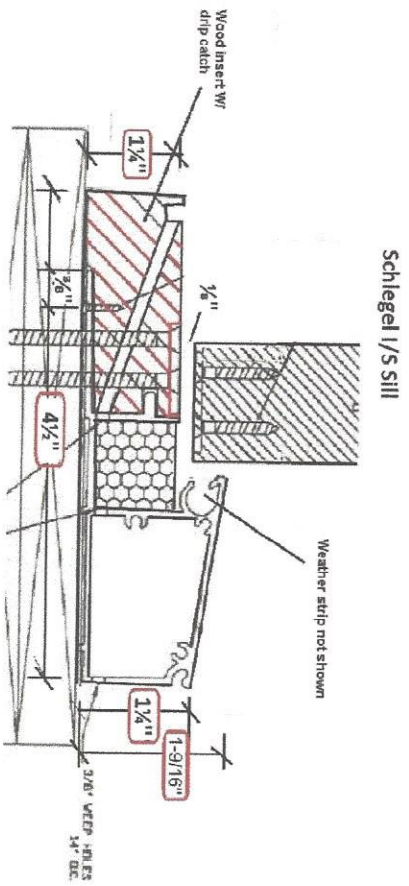
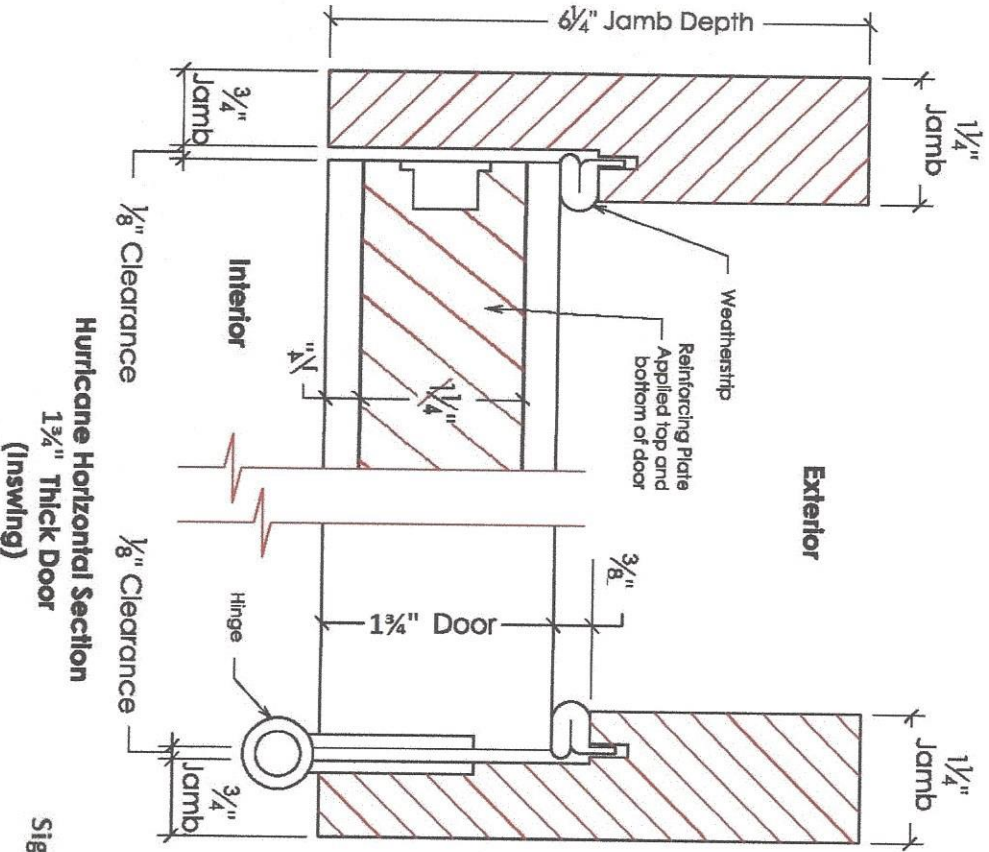
Date: _____





Signature For Approval: _____





Signature For Approval: _____

